

SUPPLY CHAIN MANAGEMENT OFFICE

PUBLIC NOTICE	SCM.021./2020/2021	DATE	05 March 2021
----------------------	---------------------------	-------------	---------------

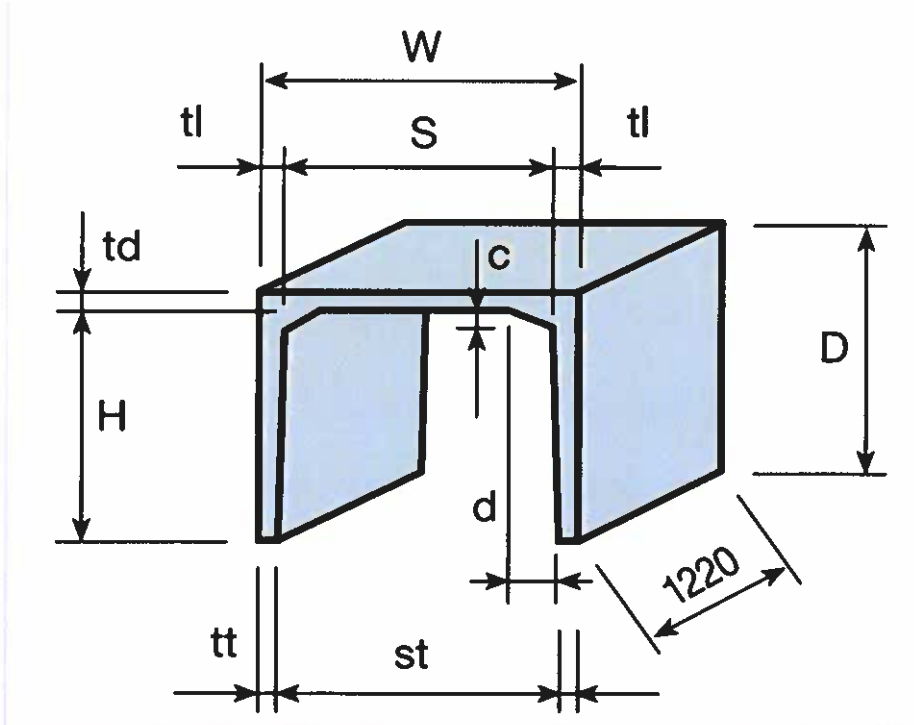
MOSES KOTANE LOCAL MUNICIPALITY HEREBY INVITES SERVICE PROVIDERS TO SUBMIT FORMAL WRITTEN PRICE QUOTATION FOR SUPPLY, DELIVERY AND OFFLOADING OF 30 PRECAST RECTANGULAR PORTALS STORMWATER CULVERTS.

THE APPOINTED SERVICE PROVIDER IS EXPECTED TO DELIVER ACCORDING TO THE FOLLOWING SPECIFICATIONS:

Nominal size	Dimensions								Water way	Approx..mass
S x H	W	D	St	Td	Tl	Tt	C	D	Area	Per
Mm x mm	Mm	Mm	Mm	Mm	Mm	Mm	Mm	Mm	M ²	Per unit
1200 x 1200	1440	1320	1280	120	120	80	50	100	1.47	1315

TO BE DELIVERED AT MOGWASE

SANS: 986



[Handwritten signature]

MKLM plans to address socio-economic issues (with specifics on numbers to be achieved) which include:

1. Maximisation of job opportunities (labour histograms);
2. Creation of opportunities and meaningful involvement of local SMMEs;
3. Proof of office locality (e.g. municipal account, title deed, and lease agreement etc. must be attached

Bids will be evaluated and adjudicated in accordance with the following legislation:

1. The municipal Finance Management Act
2. Supply Chain Management Policy of MKLM
3. PPPFA and associated regulations
4. 80/20 preference point system will be applied to this bid.

*******IMPORTANT NOTE.**

THE FOLLOWING COMPULSORY RETURNABLE DOCUMENTS MUST BE SUBMITTED TOGETHER WITH A QUOTATION. NONE SUBMISSION OF THESE DOCUMENTS WILL INVALIDATE YOUR QUOTATION.

COMPULSORY LIST OF RETURNABLE DOCUMENTS

1. Fully Completed MBD 4 – Declaration of interest form – obtainable from SCM office / rates hall / municipal website
2. Fully Completed MBD 9 – Certificate of independent Bid Determination – Obtainable from SCM office / rates hall / municipal website
3. BBB-EE Certificate/Sworn affidavit – no certificate attached, no points
4. Certified Green Bar Coded ID or Smart Card of company directors/Members/Owner
5. Tax Clearance certificate/tax pin number
6. Central Suppliers Database registration report (CSD)
7. Company Registration Certificate (except for Sole Proprietors)
8. Current Statement of municipal account (rates and taxes) not older than 3 months. Provide affidavit from south African Police(SAPS)and Proof of residence if working from home



9. Provide affidavit from south African Police(SAPS)and Proof of residence if you reside in a village where you do not pay rates and taxes **“stating that you do not pay rates and taxes of the company and you are working from home”**
10. Current statement of Municipal account(rates and taxes)not in Arrears for the period of over three months, proof of residence for directors/members of the company or close corporation and affidavit stating that you work from home and you are not paying rates and taxes of the company.

NB: COPIES OF CERTIFIED COPIES WILL NOT BE ACCEPTED.

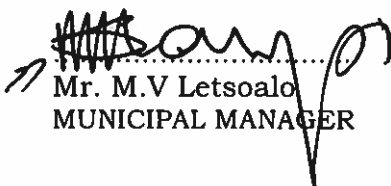
NB: IF RATES AND TAXES ARE IN ARREAS FOR MORE THAN 90 DAYS, BIDDERS WILL BE DISQUALIFIED.IT IS THE RESPONSIBILITY OF THE BIDDER TO PROOF THAT NEITHER THE ENTITY/COMPANY NOR ITS DIRECTORS (IN THEIR INDIVIDUAL CAPACITY) DO NOT OWE MUNICIPAL RATES AND TAXES.

Quotations can be marked for the attention of the Municipal Manager, **“SCM...../2020/2021– SUPPLY, DELIVERY AND OFFLOADING OF 30 PRECAST RECTANGULAR PORTALS STORMWATER CULVERTS** and deposited in the Tender box situated at Civic Centre, Rates Hall.

CLOSING DATE	15 March 2021
TIME	10H00

- **The municipality reserves the right to negotiate conditions and requirements with the successful bidder and is not obliged to appoint the lowest or any proposal submitted.**
- **Quotations received after the closing date and time will not be accepted.**

Enquiries can be directed as follows		
Specifications Enquiries	Mr M Dlodlu	078 193 6758
Procurement Enquiries	Ms S Marule	060 982 2001



Mr. M.V Letsoalo
 MUNICIPAL MANAGER



Enquiries: Seageng Marule
Tel : 014 555 1313
Fax : 014 555 6368
Ref.:
E-mail: SLetsholo@moseskotane.gov.za



MOSES KOTANE
LOCAL MUNICIPALITY

UP



Stand No.933 , Station Road, Unit 3, Mogwase Shopping Complex, Mogwase
Tel: 014 555 1300 | Fax: 014 555 6368
Website: www.moseskotane.gov.za